

Job Name: _____

Location: _____

Engineer: _____

Submitted to: _____

Submitted by: _____

Reference: _____

Date: _____

Approval: _____

Construction: _____

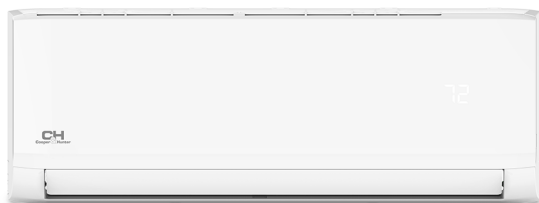
Unit #: _____

Drawing #: _____

KEY FEATURES:

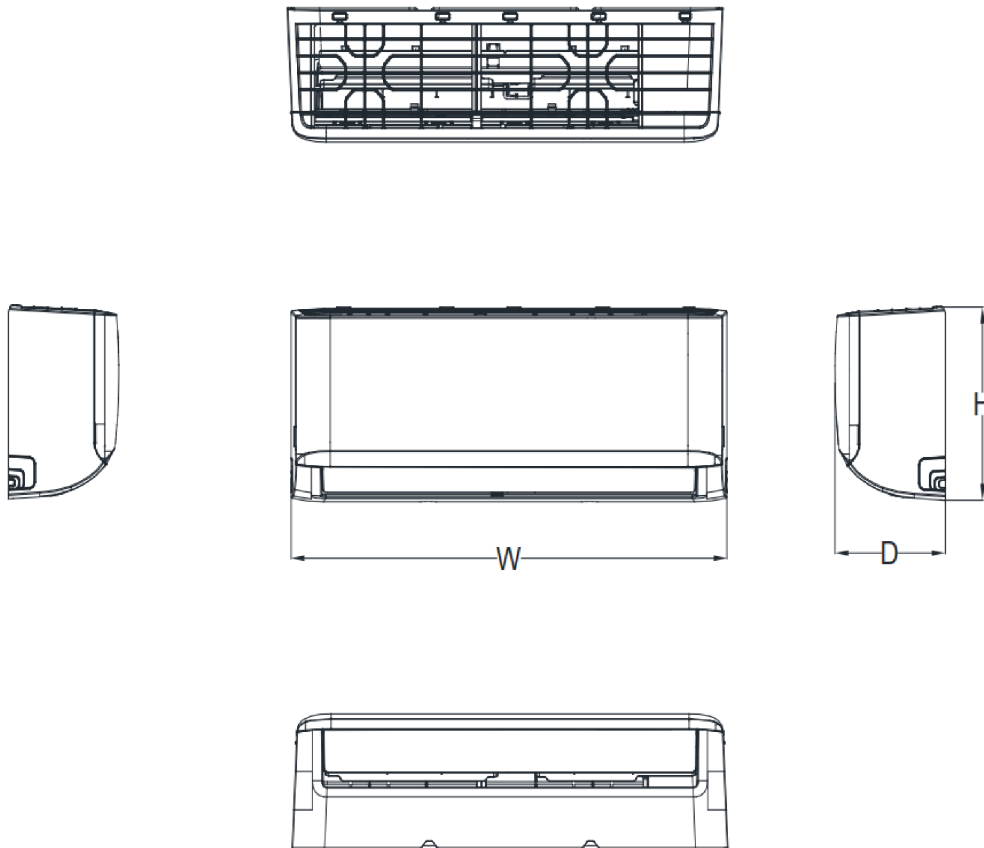
- Auto-Swing for horizontal louvers
- Genius Core ultra-low compressor speed of 12Hz • 46° Freeze Protection
- Smart Kit Ready
- Turbo Mode
- Follow Me Mode
- Smart kit Included

NOTES:



Indoor Model			CH-R18MOLVWM-230VI
Power supply		V, Ph, Hz	208-230V, 1Ph, 60Hz
Communication wiring			AWG 14-4
Cooling	Capacity	Btu/h	18,000 (8,400~20,200)
	Input	w	1,384 (360~1,860)
	Rated current	A	9 (2~7.5)
	EER/EER2	Btu/w	
	SEER/SEER2	Btu/w	
Heating at 47 °F	Capacity	Btu/h	18,000 (11,300~32,700)
	Input	W	1,490 (650~1,740)
	Rated current	A	9.5 (3.5~7.6)
	COP	W/W	3.54
	HSPF4/HSPF2-4		10.8
	HSPF5/HSPF2-5		8.8
Indoor fan motor		Qty	1
		Input	58
		RLA	0.8
Indoor air flow (Turbo/Hi/Med/Lo) (No duct)		CFM	759.3 / 500.3 / 441.4 / 370.8
ESP (range)		In.wg.	/
Indoor noise level (Hi/Med/Lo)		dB(A)	45/40/24.5
Dehumidification		L/H	3.81
Indoor unit	Dimensions (WxDxH)	inch	42.60 x 9.21 x 13.27
	Packing (WxDxH)	inch	45.47 x 16.34 x 12.40
	Net/Gross weight	lbs	30.42/39.68
Drainage water pipe diameter		inch	5/8"
Refrigerant piping (Liquid side/Gas side)		inch	1/4"/1/2"
Design pressure		PSIG	550/340
Controller			remote controller
Room temperature	Cooling	F	60~90
	Heating	F	32~86

Outdoor Model			CH-RHP18-230VO
Power supply		V, Ph, Hz	208-230V, 1Ph, 60Hz
Min. circuit ampacity		A	19
Max. fuse		A	20
Compressor	Model		KTM240D46UKT2
	Type		ROTARY
	Brand		GMCC
	Capacity	Btu/h	25.93
	Input	w	2.045
	Rated current (RLA)	A	11.7
	Refrigerant oil	oz	VG74 21
Outdoor fan motor	Qty		1
	Input	w	80
	RLA	A	0.9
	Speed	r/min	780/700/550
Outdoor air flow (Max)		CFM	1,764.7
Outdoor noise level (Max)		dB(A)	59
Throttle type			EXV+Throttle valve
Outdoor unit	Dimensions (WxDxH)	inch	35.04 x 13.46 x 26.50
	Packing (WxDxH)	inch	39.17 x 15.67 x 29.13
	Net/Gross weight	inch	99.87/107.80
Refrigerant	Type		R454B
	Precharge	ft	25
Additional charge for 1/4 inch liquid pipe		oz	0.16
Additional charge for 3/8 inch liquid pipe		oz	/
Refrigerant piping	Liquid side/Gas side	inch	1/4"/1/2"
	Max. pipe length	ft	98.4
	Max. difference in level	ft	65.6
Ambient temperature	Cooling	F	-22 ~ 122
	Heating	F	-22~75



Capacity	Body Code	W(inch/mm)	D(mm/inch)	H(mm/inch)
6K~9K	A	28-3/4in /729mm	7-7/8in /200mm	11-1/2in /292mm
9K~12K	B	31-5/8in /802mm	7-7/8in /200mm	11-5/8in /295mm
18K	C	38-1/4in /971mm	9in/228mm	12-5/8in /321mm
18K~24K	D	42-5/8in /1082mm	9-1/4in/234mm	13-1/4in /337mm
30K~36K	F	49-5/8in /1259mm	11-1/8in/283mm	14-1/4in /362mm

