

Job Name: _____

Location: _____

Engineer: _____

Submitted to: _____

Submitted by: _____

Reference: _____

Date: _____

Approval: _____

Construction: _____

Unit #: _____

Drawing #: _____

KEY FEATURES:

- Wide range for flexible installation (18K - 60K)
- Compatible with existing furnaces
- Multi-position Installation: Horizontal (left/right), Vertical (up/down)
- Full compatibility with universal third party outdoor condensing units utilizing R454B
- TXV Valve, Flared connection type, Aluminum coil with anti-corrosive GoldFin coating
- R454B refrigerant sensor

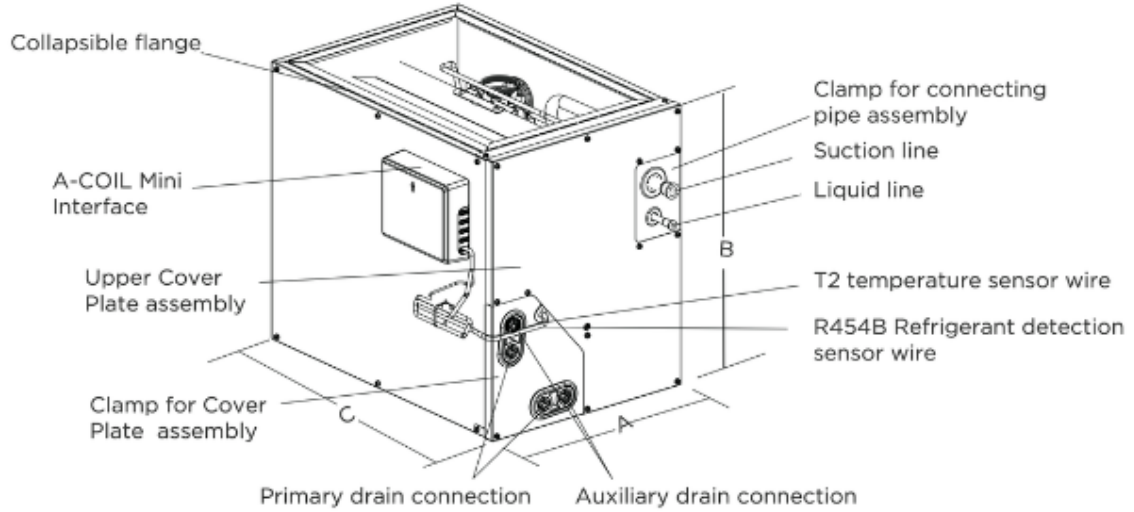
NOTES:



Indoor Model			CH-ACL30-36B
Power supply		V, Ph, Hz	208-230V, 1Ph, 60Hz
Communication wiring			AWG 20-2
Cooling	Capacity	Btu/h	29,000 (13,900~37,900)
	Input	w	2,900 (1,160~3,740)
	Rated current	A	9.7 (4~14.8)
	EER/EER2	Btu/w	
	SEER/SEER2	Btu/w	
Heating at 47 °F	Capacity	Btu/h	32,000 (13,000~40,000)
	Input	W	2,780 (1,088~3,482)
	Rated current	A	10.8 (3.7~13.7)
	COP	W/W	3.37
	HSPF4/HSPF2-4		10
	HSPF5/HSPF2-5		8.5
Indoor fan motor	Qty		/
	Input		/
	RLA		/
Indoor air flow (Turbo/Hi/Med/Lo) (No duct)		CFM	/
ESP (range)		ln.wg.	/
Indoor noise level (Hi/Med/Lo)		dB(A)	/
Dehumidification		L/H	7.8
Indoor unit	Dimensions (WxDxH)	inch	17-1/2 x 21 x 23-1/2
	Packing (WxDxH)	inch	20-1/2 x 26-1/8 x 26-3/8
	Net/Gross weight	lbs	59.5 / 68
Drainage water pipe diameter		inch	1"
Refrigerant piping (Liquid side/Gas side)		inch	3/8"/3/4"
Design pressure		PSIG	550/340
Controller			120N wire controller
Room temperature	Cooling	F	60~90
	Heating	F	32~86

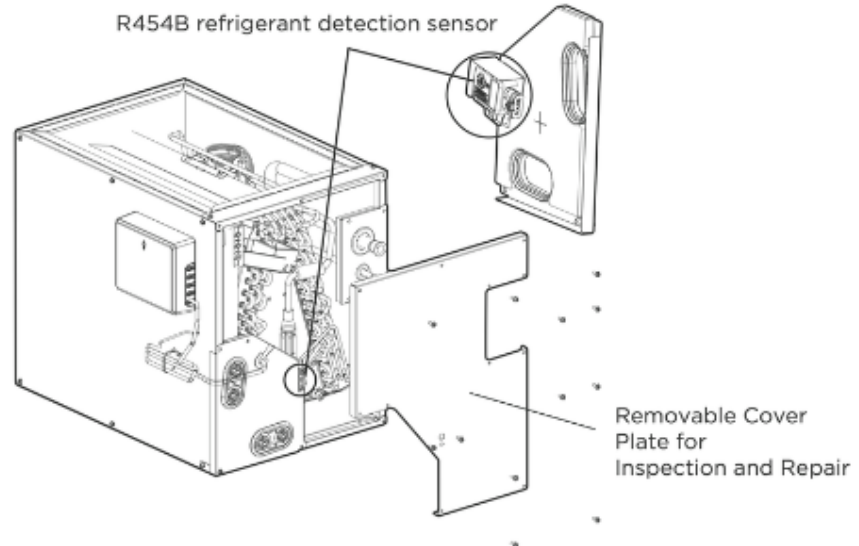
Outdoor Model		CH-PQ33-230VO	
Power supply	V, Ph, Hz	208-230V, 1Ph, 60Hz	
Min. circuit ampacity	A	29.5	
Max. fuse	A	30	
Compressor	Model	MTH356UKRC8FQL	
	Type	ROTARY	
	Brand	HIGHLY	
	Capacity	Btu/h	35,310
	Input	w	3,200
	Rated current (RLA)	A	22.4
	Refrigerant oil	oz	HAF68D1A 44
Outdoor fan motor	Qty	1	
	Input	w	120
	RLA	A	1.5
	Speed	r/min	800/750/650
Outdoor air flow (Max)	CFM	3,002	
Outdoor noise level (Max)	dB(A)	64	
Throttle type		EXV	
Outdoor unit	Dimensions (WxDxH)	inch	37-1/4 x 16-1/8 x 31-7/8
	Packing (WxDxH)	inch	42-7/8 x 19-5/8 x 34-7/8
	Net/Gross weight	inch	164 / 175
Refrigerant	Type	R454B	
	Precharge	ft	25
Additional charge for 1/4 inch liquid pipe		oz	/
Additional charge for 3/8 inch liquid pipe		oz	0.7
Refrigerant piping	Liquid side/Gas side	inch	3/8"/3/4"
	Max. pipe length	ft	164
	Max. difference in level	ft	82
Ambient temperature	Cooling	F	-22 ~ 122
	Heating	F	-22~75

Unit: in(mm)



Model	CH-ACL18-24A		CH-ACL18-24B		CH-ACL30-36B	
Dimensions	inch	mm	inch	mm	inch	mm
A	14.5	368	17.5	445	17.5	445
B	18	457	18	457	23.5	599
C	21	533	21	533	21	533

Model	CH-ACL30-36C		CH-MCL48-60C		CH-ACL48-60D	
Dimensions	inch	mm	inch	mm	inch	mm
A	21	534	21.6	549	24.5	622
B	24	611	27.75	706	28	711
C	21	533	21.5	546	21	533



CASED DIMENSIONS AND COMPONENT LOCATION

PEAQ

