

**Job Name:** \_\_\_\_\_  
**Location:** \_\_\_\_\_  
**Engineer:** \_\_\_\_\_  
**Submitted to:** \_\_\_\_\_  
**Submitted by:** \_\_\_\_\_  
**Reference:** \_\_\_\_\_

**Date:** \_\_\_\_\_  
**Approval:** \_\_\_\_\_  
**Construction:** \_\_\_\_\_  
**Unit #:** \_\_\_\_\_  
**Drawing #:** \_\_\_\_\_

### KEY FEATURES:

- A-shaped coil
- Fully-insulated cabinet, 2% or less air leakage rate.
- Multi-Stage blower Speed Control
- 4-position installation
- Dual front panel, volute and coil with slide track
- Easy-to-braze copper evaporator connection
- Advanced internal welding process to reduce corrosion
- R32 refrigerant sensor ensures safe operation.

### NOTES:

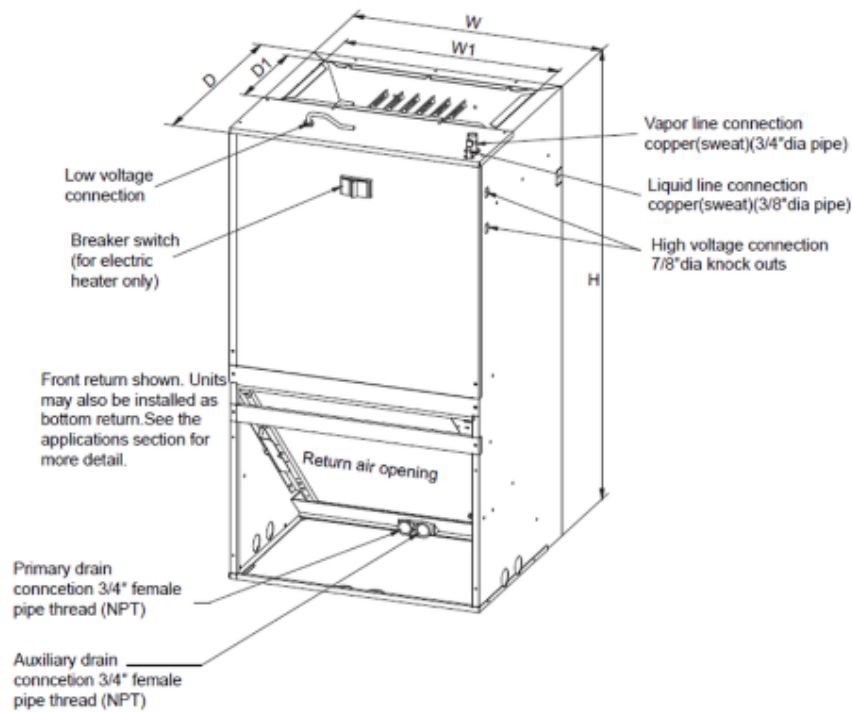
\_\_\_\_\_  
 \_\_\_\_\_  
 \_\_\_\_\_  
 \_\_\_\_\_  
 \_\_\_\_\_



| Indoor Model                                |                    |           | CH-UC18AHUWM            |
|---|--------------------|-----------|-------------------------|
| Power supply                                |                    | V, Ph, Hz | 208-230V, 1Ph, 60Hz     |
| Communication wiring                        |                    |           | AWG 16                  |
| Cooling                                     | Capacity           | Btu/h     | 17,600                  |
|   | Input              | w         | 1,504                   |
|   | Rated current      | A         | 7.23                    |
|   | EER2               | Btu/w     | 11.7                    |
|   | SEER2              | Btu/w     | 14.3                    |
| Heating at 47 °F                            | Capacity           | Btu/h     | /                       |
|   | Input              | W         | /                       |
|   | Rated current      | A         | /                       |
|   | COP                | W/W       | /                       |
|   | HSPF4/HSPF2-4      |           | /                       |
|   | HSPF5/HSPF2-5      |           | /                       |
| Indoor fan motor                            | Qty                |           | 1                       |
|   | Output W           |           | 249                     |
|   | RLA                |           | /                       |
| Indoor air flow (Turbo/Hi/Med/Lo) (No duct) |                    | CFM       | 630                     |
| ESP (range)                                 |                    | In.wg.    | 0-0.6                   |
| Indoor noise level (Hi/Med/Lo)              |                    | dB(A)     | 51                      |
| Dehumidification                            |                    | L/H       | 2.15                    |
| Indoor unit                                 | Dimensions (WxDxH) | inch      | 20-1/2"×15"×36-1/2"     |
|   | Packing (WxDxH)    | inch      | 23-3/7"×17-1/2"×39-1/2" |
|   | Net/Gross weight   | lbs       | 87/98                   |
| Drainage water pipe diameter                |                    | inch      | 3/4"                    |
| Refrigerant piping (Liquid side/Gas side)   |                    | inch      | 3/8" 3/4"               |
| Design pressure                             |                    | PSIG      | 580/188                 |
| Controller                                  |                    |           | NO                      |
| Room temperature                            | Cooling            | F         | 57~118                  |
|   | Heating            | F         | /                       |

| Outdoor Model                              |                          | CH-UC18-230VO       |                  |
|--|--------------------------|---------------------|------------------|
| Power supply                               | V, Ph, Hz                | 208-230V, 1Ph, 60Hz |                  |
| Min. circuit ampacity                      | A                        | 12                  |                  |
| Max. fuse                                  | A                        | 15                  |                  |
| Compressor                                 | Model                    | KSF150N2VKTB3       |                  |
|  | Type                     | ROTARY              |                  |
|  | Brand                    | GMCC                |                  |
|  | Capacity                 | Btu/h               | 19,070           |
|  | Input                    | w                   | 1,290            |
|  | Rated current (RLA)      | A                   | 1.5              |
|  | Refrigerant oil          | oz                  | VG74 21.6        |
| Outdoor fan motor                          | Qty                      | 1                   |                  |
|  | Output                   | w                   | 120              |
|  | RLA                      | A                   | 1.5              |
|  | Speed                    | r/min               | 1,050            |
| Outdoor air flow (Max)                     | CFM                      | /                   |                  |
| Outdoor noise level (Max)                  | dB(A)                    | 59                  |                  |
| Throttle type                              |                          | Piston              |                  |
| Outdoor unit                               | Dimensions (WxDxH)       | inch                | 21-4/5×25×21-4/5 |
|  | Packing (WxDxH)          | inch                | 22-3/5×26×22-3/5 |
|  | Net/Gross weight         | lbs                 | 111/116          |
| Refrigerant                                | Type                     | R32                 |                  |
|  | Precharge                | ft                  | 15               |
| Additional charge for 1/4 inch liquid pipe |                          | oz                  | /                |
| Additional charge for 3/8 inch liquid pipe |                          | oz                  | 0.47 oz/ft       |
| Refrigerant piping                         | Liquid side/Gas side     | inch                | 3/8" 3/4"        |
|  | Max. pipe length         | ft                  | 131              |
|  | Max. difference in level | ft                  | 66               |
| Ambient temperature                        | Cooling                  | F                   | 57-118           |
|  | Heating                  | F                   | /                |

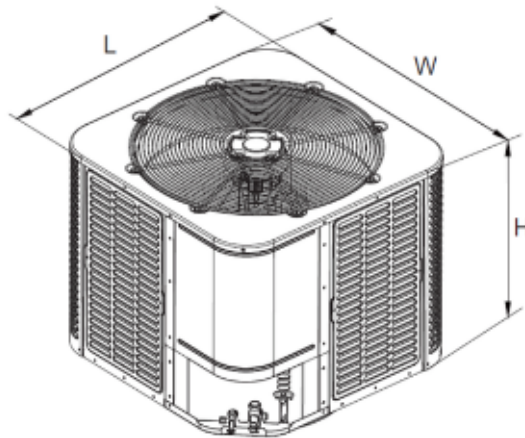
**Wall Mounted Air Handlers**  
**R32 Rotary Series**  
**14.3 SEER2**  
**Cooling capacity: 18-36 kBTU/h**



| Model Size | Dimensions inch (mm)      |                          |                           |                           |                            | Unit Weight / Shipping Weight (kg/LBS) |
|------------|---------------------------|--------------------------|---------------------------|---------------------------|----------------------------|--|
|            | Unit Height "H" inch (mm) | Unit Width "W" inch (mm) | Unit Width "W1" inch (mm) | Unit Length "D" inch (mm) | Unit Length "D1" inch (mm) |  |
| 18         | 36-1/2 (928)              | 20-2/3 (526)             | 17-1/2 (446)              | 15 (381)                  | 9-1/2 (242)                | 40.0/45.5 (88.2)/(100.3)               |
| 24         | 39-1/2 (1004)             | 22 (558)                 | 18-4/5 (478)              | 19 (483)                  | 9-1/2 (242)                | 48.5/55.0 (106.9)/(121.3)              |
| 30         | 39-1/2 (1004)             | 22 (558)                 | 18-4/5 (478)              | 19 (483)                  | 9-1/2 (242)                | 48.5/55.0 (106.9)/(121.3)              |
| 36         | 39-1/2 (1004)             | 22 (558)                 | 18-4/5 (478)              | 19 (483)                  | 9-1/2 (242)                | 48.5/55.0 (106.9)/(121.3)              |



**Condensing Unit**  
**R32 Rotary Series Air Conditioner**  
**14.3 SEER2**  
**Cooling capacity: 18-36 kBTU/h**



| Model Size | Unit Width "W" in. [mm] | Unit Height "H" in. [mm] | Unit Length "L" in. [mm] | Packing (W*H*D) in. [mm]               | Unit Weight (lbs.[kg]) |
|------------|-------------------------|--------------------------|--------------------------|--|------------------------|
| 18         | 21-4/5 [554]            | 25 [633]                 | 21-4/5 [554]             | 22-3/5x25-9/10x22-3/5[575 x 660 x 575] | 116 [50]               |
| 24         | 21-4/5 [554]            | 25 [633]                 | 21-4/5 [554]             | 22-3/5x25-9/10x22-3/5[575 x 660 x 575] | 116 [50]               |
| 30         | 29-1/7 [740]            | 25 [633]                 | 29-1/7 [740]             | 30x26xx30[760x 660x760]                | 139 [63]               |
| 36         | 29-1/7 [740]            | 25 [633]                 | 29-1/7 [740]             | 30x26xx30[760x 660x760]                | 146 [66]               |