

Job Name: _____
Location: _____
Engineer: _____
Submitted to: _____
Submitted by: _____
Reference: _____

Date: _____
Approval: _____
Construction: _____
Unit #: _____
Drawing #: _____

KEY FEATURES:

- A-shaped coil
- Fully-insulated cabinet, 2% or less air leakage rate.
- Multi-Stage blower Speed Control
- 4-position installation
- Dual front panel, volute and coil with slide track
- Easy-to-braze copper evaporator connection
- Advanced internal welding process to reduce corrosion
- R32 refrigerant sensor ensures safe operation.

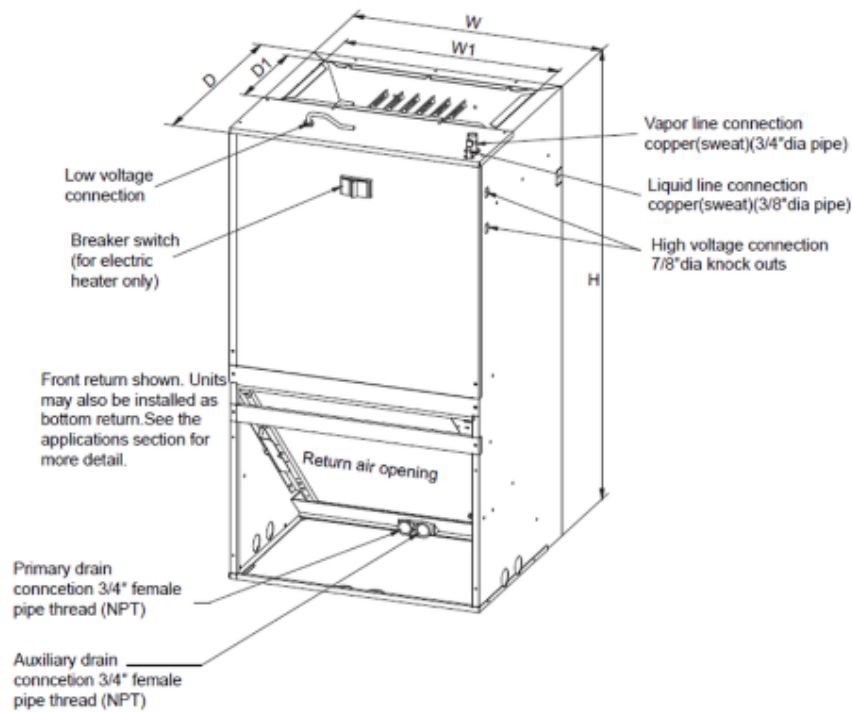
NOTES:



Indoor Model			CH-UC24AHUWM
Power supply		V, Ph, Hz	208-230V, 1Ph, 60Hz
Communication wiring			AWG 16
Cooling	Capacity	Btu/h	22,000
	Input	w	1,880
	Rated current	A	9.04
	EER2	Btu/w	11.7
	SEER2	Btu/w	14.3
Heating at 47 °F	Capacity	Btu/h	/
	Input	W	/
	Rated current	A	/
	COP	W/W	/
	HSPF4/HSPF2-4		/
	HSPF5/HSPF2-5		/
Indoor fan motor	Qty		1
	Output W		373
	RLA		/
Indoor air flow (Turbo/Hi/Med/Lo) (No duct)		CFM	865
ESP (range)		In.wg.	0-0.6
Indoor noise level (Hi/Med/Lo)		dB(A)	51
Dehumidification		L/H	4.25
Indoor unit	Dimensions (WxDxH)	inch	22"x19"x39-1/2"
	Packing (WxDxH)	inch	24-1/2"x21-4/5"x42-1/10"
	Net/Gross weight	lbs	107/121
Drainage water pipe diameter		inch	3/4"
Refrigerant piping (Liquid side/Gas side)		inch	3/8" 3/4"
Design pressure		PSIG	580/188
Controller			NO
Room temperature	Cooling	F	57~118
	Heating	F	/

Outdoor Model		CH-UC24-230VO	
Power supply	V, Ph, Hz	208-230V, 1Ph, 60Hz	
Min. circuit ampacity	A	16	
Max. fuse	A	25	
Compressor	Model	KSF200N1VKTB3	
	Type	ROTARY	
	Brand	GMCC	
	Capacity	Btu/h	25,860
	Input	w	1,740
	Rated current (RLA)	A	1.5
	Refrigerant oil	oz	VG74 21.6
Outdoor fan motor	Qty	1	
	Output	w	120
	RLA	A	1.5
	Speed	r/min	1,050
Outdoor air flow (Max)	CFM	/	
Outdoor noise level (Max)	dB(A)	60	
Throttle type	Piston		
Outdoor unit	Dimensions (WxDxH)	inch	21-4/5×25×21-4/5
	Packing (WxDxH)	inch	22-3/5×26×22-3/5
	Net/Gross weight	lbs	111/116
Refrigerant	Type	R32	
	Precharge	ft	15
Additional charge for 1/4 inch liquid pipe	oz	/	
Additional charge for 3/8 inch liquid pipe	oz	0.47 oz/ft	
Refrigerant piping	Liquid side/Gas side	inch	3/8" 3/4"
	Max. pipe length	ft	131
	Max. difference in level	ft	66
Ambient temperature	Cooling	F	57-118
	Heating	F	/

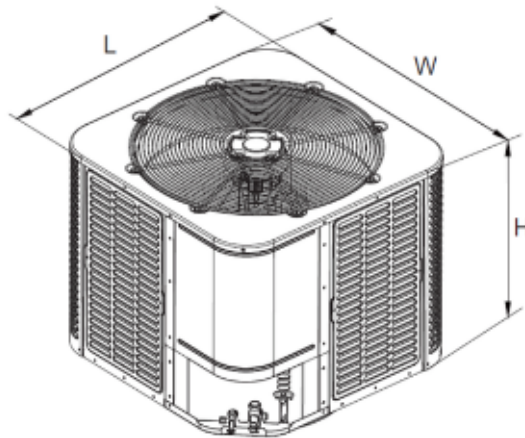
Wall Mounted Air Handlers
R32 Rotary Series
14.3 SEER2
Cooling capacity: 18-36 kBTU/h



Model Size	Dimensions inch (mm)					Unit Weight (Shipping Weight) (kg)(LBS)
	Unit Height "H" inch (mm)	Unit Width "W" inch (mm)	Unit Width "W1" inch (mm)	Unit Length "D" inch (mm)	Unit Length "D1" inch (mm)	
18	36-1/2 (928)	20-2/3 (526)	17-1/2 (446)	15 (381)	9-1/2 (242)	40.0/45.5 (88.2)/(100.3)
24	39-1/2 (1004)	22 (558)	18-4/5 (478)	19 (483)	9-1/2 (242)	48.5/55.0 (106.9)/(121.3)
30	39-1/2 (1004)	22 (558)	18-4/5 (478)	19 (483)	9-1/2 (242)	48.5/55.0 (106.9)/(121.3)
36	39-1/2 (1004)	22 (558)	18-4/5 (478)	19 (483)	9-1/2 (242)	48.5/55.0 (106.9)/(121.3)



Condensing Unit
R32 Rotary Series Air Conditioner
14.3 SEER2
Cooling capacity: 18-36 kBTU/h



Model Size	Unit Width "W" in. [mm]	Unit Height "H" in. [mm]	Unit Length "L" in. [mm]	Packing (W*H*D) in. [mm]	Unit Weight (lbs.[kg])
18	21-4/5 [554]	25 [633]	21-4/5 [554]	22-3/5x25-9/10x22-3/5[575 x 660 x 575]	116 [50]
24	21-4/5 [554]	25 [633]	21-4/5 [554]	22-3/5x25-9/10x22-3/5[575 x 660 x 575]	116 [50]
30	29-1/7 [740]	25 [633]	29-1/7 [740]	30x26xx30[760x 660x760]	139 [63]
36	29-1/7 [740]	25 [633]	29-1/7 [740]	30x26xx30[760x 660x760]	146 [66]