

**Job Name:** \_\_\_\_\_  
**Location:** \_\_\_\_\_  
**Engineer:** \_\_\_\_\_  
**Submitted to:** \_\_\_\_\_  
**Submitted by:** \_\_\_\_\_  
**Reference:** \_\_\_\_\_

**Date:** \_\_\_\_\_  
**Approval:** \_\_\_\_\_  
**Construction:** \_\_\_\_\_  
**Unit #:** \_\_\_\_\_  
**Drawing #:** \_\_\_\_\_

### KEY FEATURES:

- A-shaped coil
- Fully-insulated cabinet, 2% or less air leakage rate.
- Multi-Stage blower Speed Control
- 4-position installation
- Dual front panel, volute and coil with slide track
- Easy-to-braze copper evaporator connection
- Advanced internal welding process to reduce corrosion
- R32 refrigerant sensor ensures safe operation.

### NOTES:

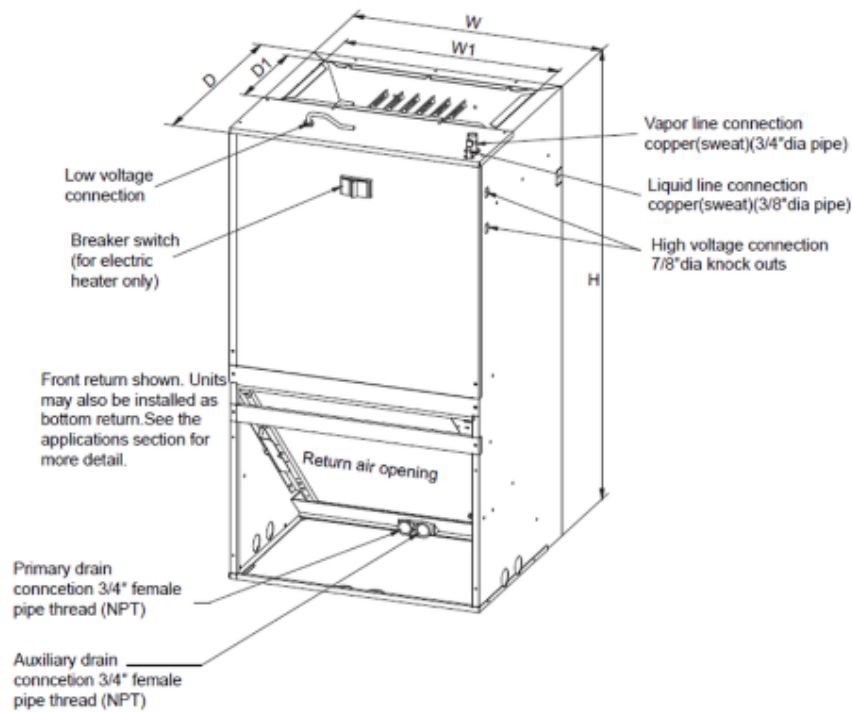
\_\_\_\_\_  
 \_\_\_\_\_  
 \_\_\_\_\_  
 \_\_\_\_\_  
 \_\_\_\_\_



Indoor Model			CH-UC36AHUWM
Power supply		V, Ph, Hz	208-230V, 1Ph, 60Hz
Communication wiring			AWG 16
Cooling	Capacity	Btu/h	33,000
	Input	w	2,821
	Rated current	A	13.56
	EER2	Btu/w	11.7
	SEER2	Btu/w	14.3
Heating at 47 °F	Capacity	Btu/h	/
	Input	W	/
	Rated current	A	/
	COP	W/W	/
	HSPF4/HSPF2-4		/
	HSPF5/HSPF2-5		/
Indoor fan motor	Qty		1
	Output W		373
	RLA		/
Indoor air flow (Turbo/Hi/Med/Lo) (No duct)		CFM	1,065
ESP (range)		In.wg.	0-0.6
Indoor noise level (Hi/Med/Lo)		dB(A)	54
Dehumidification		L/H	7.14
Indoor unit	Dimensions (WxDxH)	inch	22"x19"x39-1/2"
	Packing (WxDxH)	inch	24-1/2"x21-4/5"x42-1/10"
	Net/Gross weight	lbs	107/121
Drainage water pipe diameter		inch	3/4"
Refrigerant piping (Liquid side/Gas side)		inch	3/8" 3/4"
Design pressure		PSIG	580/188
Controller			NO
Room temperature	Cooling	F	57~118
	Heating	F	/

Outdoor Model		CH-UC36-230VO	
Power supply	V, Ph, Hz	208-230V, 1Ph, 60Hz	
Min. circuit ampacity	A	22	
Max. fuse	A	35	
Compressor	Model	KSG280N1VMT	
	Type	ROTARY	
	Brand	GMCC	
	Capacity	Btu/h	36,440
	Input	w	2,450
	Rated current (RLA)	A	2.4
	Refrigerant oil	oz	VG74 28.7
Outdoor fan motor	Qty	1	
	Output	w	200
	RLA	A	2.4
	Speed	r/min	1,100
Outdoor air flow (Max)	CFM	/	
Outdoor noise level (Max)	dB(A)	63	
Throttle type		Piston	
Outdoor unit	Dimensions (WxDxH)	inch	29-1/7×25×29-1/7
	Packing (WxDxH)	inch	30×26×x30
	Net/Gross weight	lbs	146/154
Refrigerant	Type	R32	
	Precharge	ft	15
Additional charge for 1/4 inch liquid pipe		oz	/
Additional charge for 3/8 inch liquid pipe		oz	0.47 oz/ft
Refrigerant piping	Liquid side/Gas side	inch	3/8" 3/4"
	Max. pipe length	ft	131
	Max. difference in level	ft	66
Ambient temperature	Cooling	F	57-118
	Heating	F	/

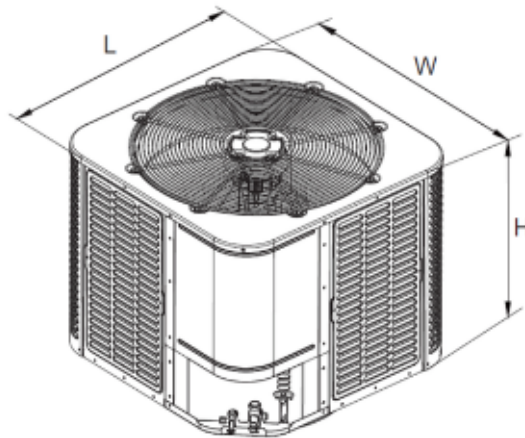
**Wall Mounted Air Handlers**  
**R32 Rotary Series**  
**14.3 SEER2**  
**Cooling capacity: 18-36 kBTU/h**



Model Size	Dimensions inch (mm)					Unit Weight / Shipping Weight (kg/LBS)
	Unit Height "H" inch (mm)	Unit Width "W" inch (mm)	Unit Width "W1" inch (mm)	Unit Length "D" inch (mm)	Unit Length "D1" inch (mm)	
18	36-1/2 (928)	20-2/3 (526)	17-1/2 (446)	15 (381)	9-1/2 (242)	40.0/45.5 (88.2)/(100.3)
24	39-1/2 (1004)	22 (558)	18-4/5 (478)	19 (483)	9-1/2 (242)	48.5/55.0 (106.9)/(121.3)
30	39-1/2 (1004)	22 (558)	18-4/5 (478)	19 (483)	9-1/2 (242)	48.5/55.0 (106.9)/(121.3)
36	39-1/2 (1004)	22 (558)	18-4/5 (478)	19 (483)	9-1/2 (242)	48.5/55.0 (106.9)/(121.3)



**Condensing Unit**  
**R32 Rotary Series Air Conditioner**  
**14.3 SEER2**  
**Cooling capacity: 18-36 kBTU/h**



Model Size	Unit Width "W" in. [mm]	Unit Height "H" in. [mm]	Unit Length "L" in. [mm]	Packing (W*H*D) in. [mm]	Unit Weight (lbs.[kg])
18	21-4/5 [554]	25 [633]	21-4/5 [554]	22-3/5x25-9/10x22-3/5[575 x 660 x 575]	116 [50]
24	21-4/5 [554]	25 [633]	21-4/5 [554]	22-3/5x25-9/10x22-3/5[575 x 660 x 575]	116 [50]
30	29-1/7 [740]	25 [633]	29-1/7 [740]	30x26xx30[760x 660x760]	139 [63]
36	29-1/7 [740]	25 [633]	29-1/7 [740]	30x26xx30[760x 660x760]	146 [66]