

Job Name: _____
Location: _____
Engineer: _____
Submitted to: _____
Submitted by: _____
Reference: _____

Date: _____
Approval: _____
Construction: _____
Unit #: _____
Drawing #: _____



OUTDOOR UNIT FEATURES:

- ◆ Multi positioning installation is able to fit in different type of projects and room structures
- ◆ 100% cooper pipe
- ◆ It is compatible with ordinary controllers with 24V AC inverter
- ◆ Adaptable external static pressure
- ◆ Low noise DC Fan Motor
- ◆ Optional electric heater
- ◆ Humidity sensor (Build-in)
- ◆ A refrigerant leak detection sensor is equipped

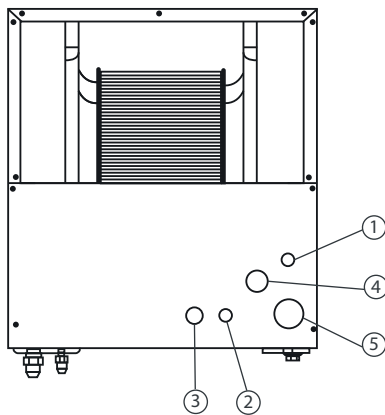
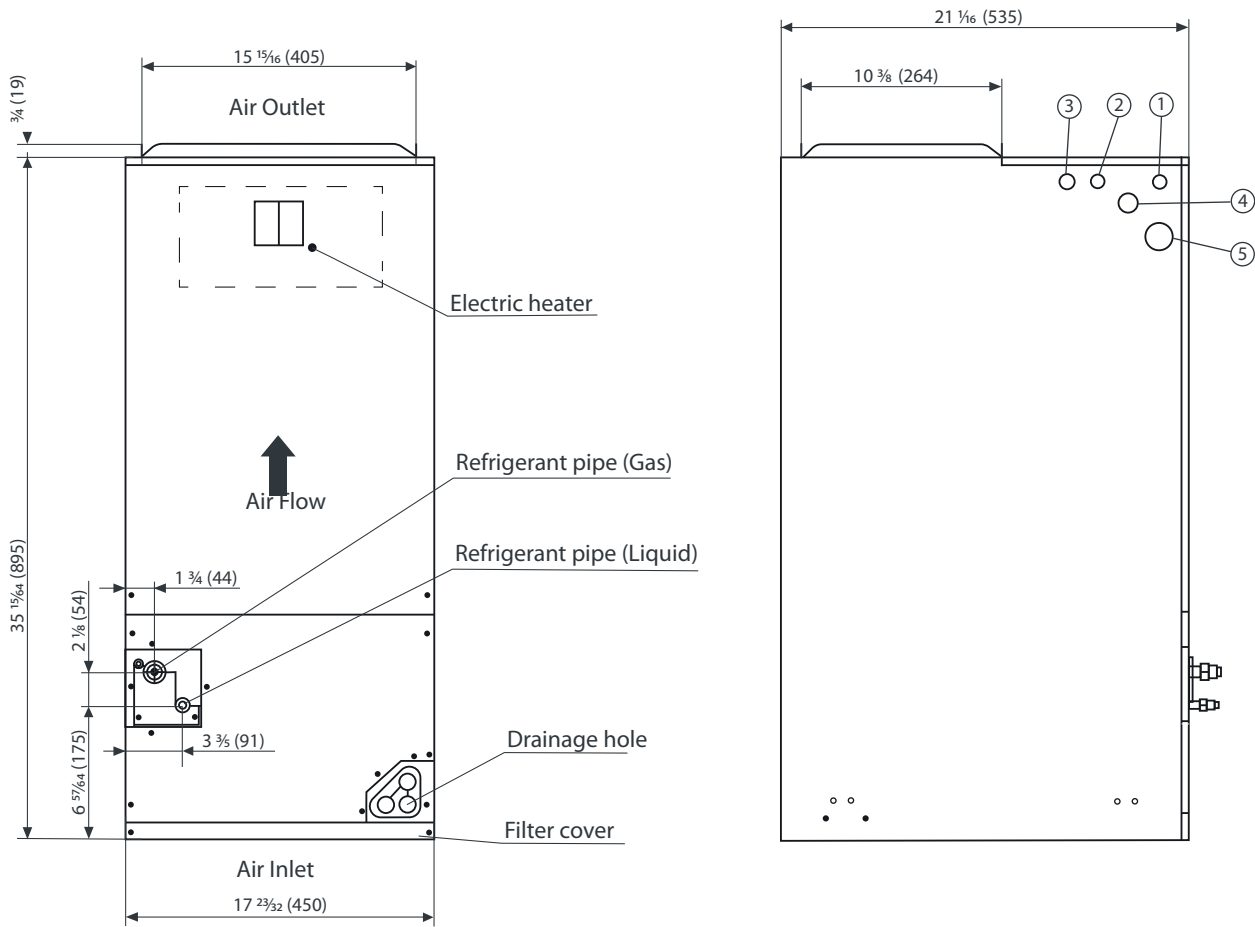


Model name			CHV-RS12MPAHU
Ton			1
Model power supply			AC 1 - Phase 208/230 V 60 Hz
Cooling operation	Nominal capacity	Btu/h	12,000
	Power consumption	kW	3.5
Heating operation	Nominal capacity	Btu/h	14,000
	Power consumption	kW	4
MCA (Minimum circuit ampacity)		A	2.35
MOP (Minimum overcurrent protection)		A	15
Air flow rate		CFM	375
Noise level		dB(A)	39
Outer dimension	Height	in	36 1/32
	Width	in	17 23/32
	Depth	in	21 1/16
Net weight		lbs	114.6
Refrigerant			R32
Refrigerant flow control			Micro-computer Control Expansion Valve
Piping connections			Flare-Nut Connection (with Flare Nuts)
Refrigerant piping	Gas line	in	1/2"
	Liquid line	in	1/4"
Condensate drain		in	NPT3/4

NOTES:

- The above specifications demonstrate cooling and heating conditions when the outdoor unit is operated with the 100% rating of indoor units, Cooling operation conditions: indoor air inlet temperature: 80°F DB 67°F WB, Outdoor air inlet temperature: 95°F DB, Piping length: 25ft., Piping lift: 0ft.
Heating operation conditions: Nominal heating condition, indoor air inlet temperature: 70°F DB, outdoor air inlet temperature: 47°F DB 43°F WB.
Heating operation conditions: Low temp. heating condition, indoor air inlet temperature: 70°F DB, outdoor air inlet temperature: 17°F DB 15°F WB.
- Rated capacity and efficiency are certified under AHRI Standard 1230. Ratings are subject to change without notice. Current certified ratings are available at www.ahridirectory.org.
- The above noise values were measured in an anechoic chamber without reflected echo. Measurement point: 3.3ft from the service cover surface and 4.9ft from floor level.
- The final appearance of outdoor units may vary from images shown here.

Unit: inch (mm)



No.	Knockout of hole diameter		Trade size of conduit		Application
	mm	in.	mm	in.	
①	22.2	7/8	16	1/2	Communication wiring hole
②	22.2	7/8	16	1/2	High voltage wiring hole
③	27.8	1-3/32	21	3/4	
④	34.5	1-23/64	27	1	
⑤	43.7	1-23/32	35	1-1/4	